

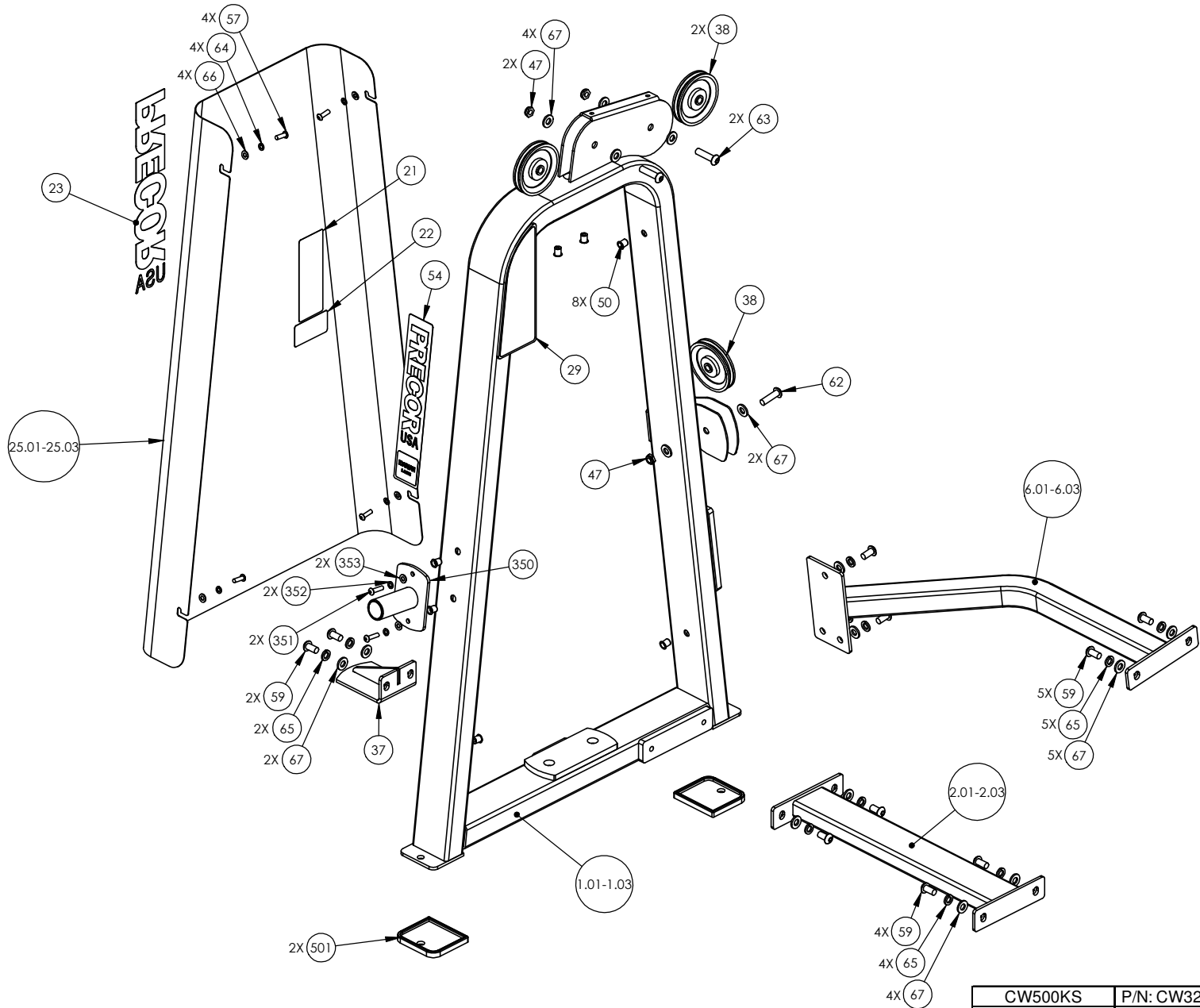
MAIN FRAME/HARDWARE,
SHEET 2

GUIDE RODS/WEIGHTS,
SHEET 4

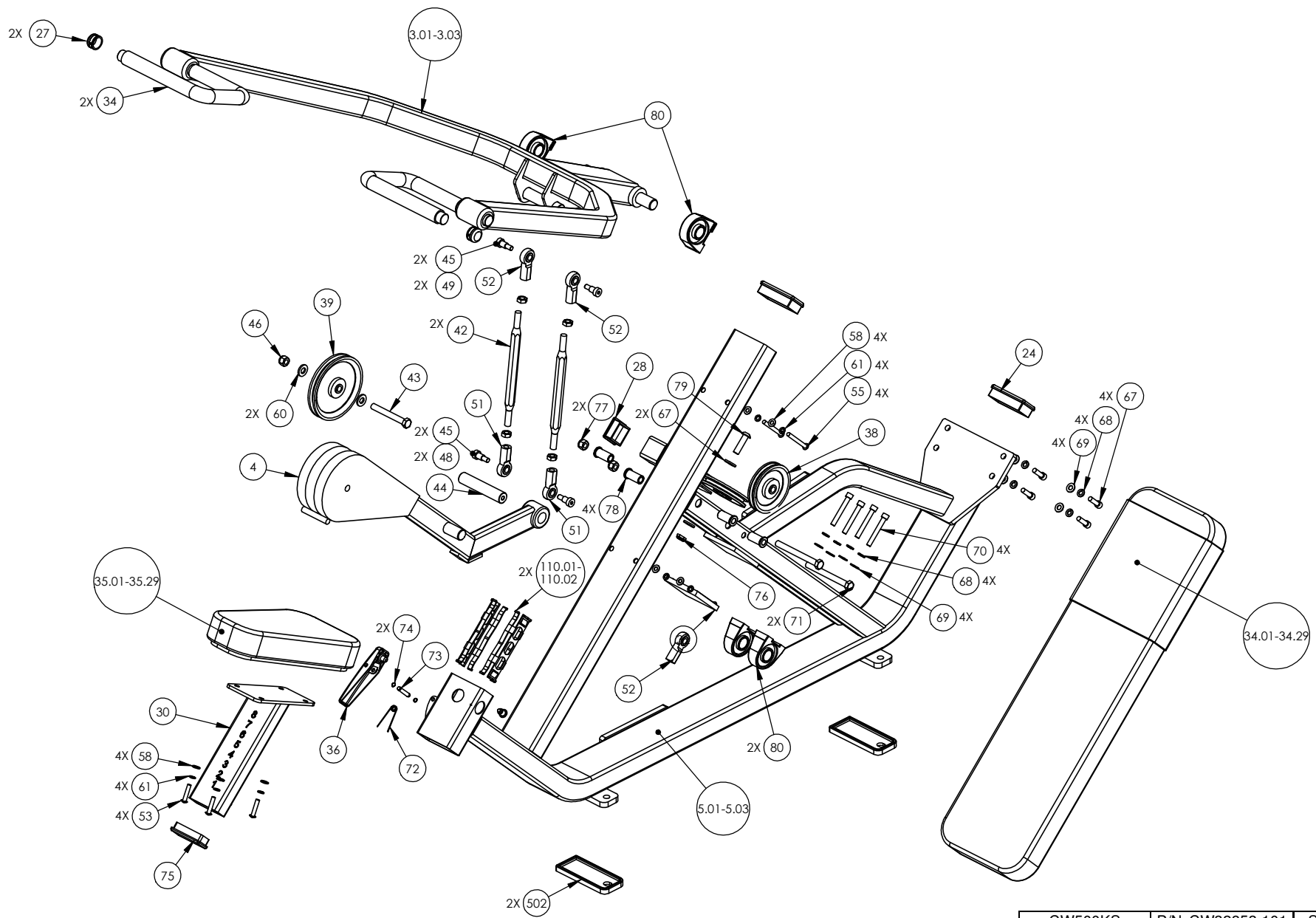
PRESS ARM/COMPONENTS,
SHEET 3

SEAT FRAME/HARDWARE,
SHEET 3

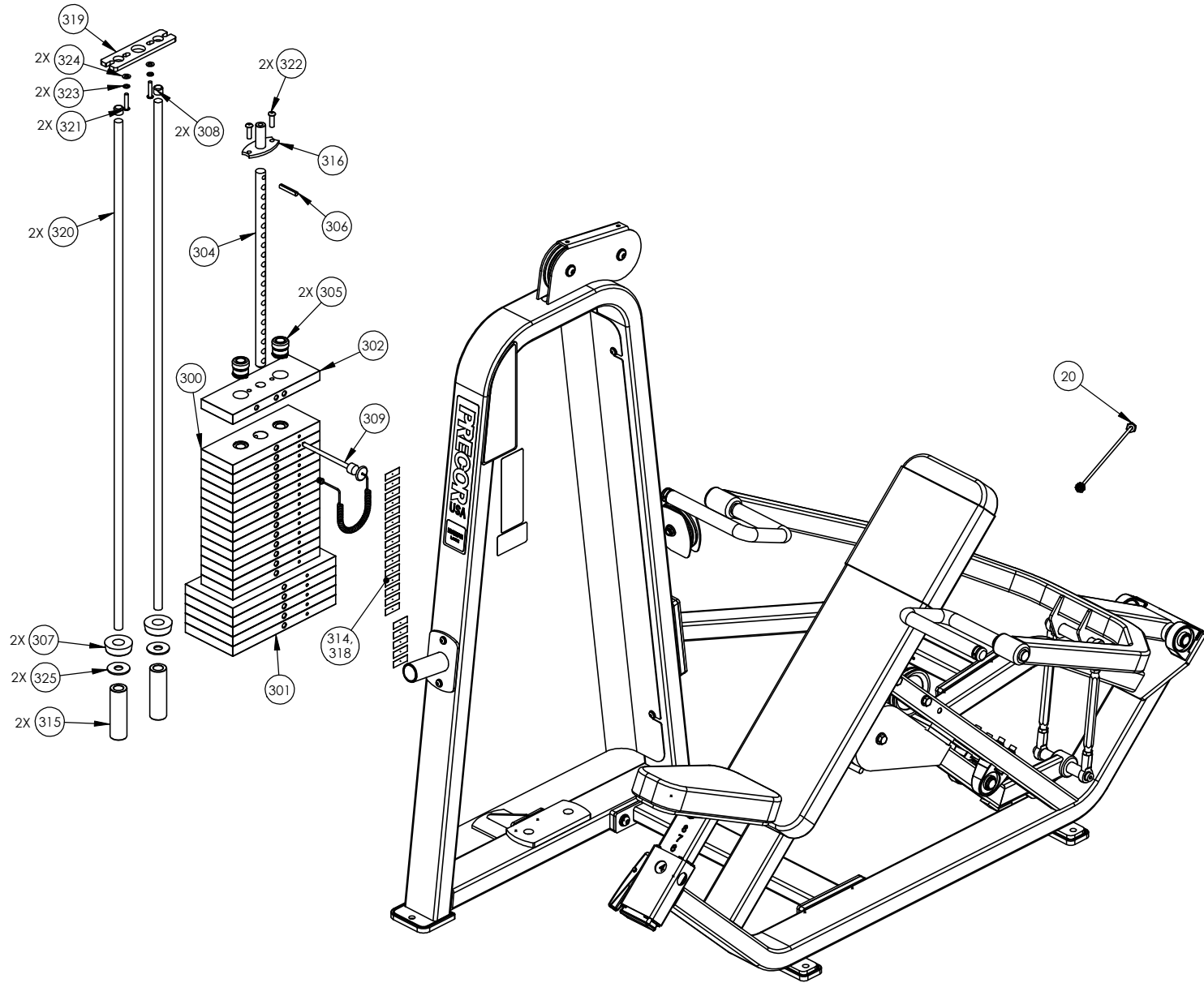
CW500KS	P/N: CW32853-101	SUBREV: E
DRAWN BY: VLE	DATE: 05.11.09	SHEET 1 OF 4



CW500KS	P/N: CW32853-101	SUBREV: E
DRAWN BY: VLE	DATE: 05.11.09	SHEET 2 OF 4



CW500KS	P/N: CW32853-101	SUBREV: E
DRAWN BY: VLE	DATE: 05.11.09	SHEET 3 OF 4



CW500KS	P/N: CW32853-101	SUBREV: E
DRAWN BY: VLE	DATE: 05.11.09	SHEET 4 OF 4

500KS Shoulder Press

Part Number	Description	Bubble Number
CW32819-211	WELDMENT, FRAME, MAIN, CW500KS, SKY	1.01
CW32819-321	WELDMENT, FRAME, MAIN, CW500KS, TIT	1.03
CW32924-211	ASSY, 23.38" LOWER FRAME LINK, SKY	2.01
CW32924-321	ASSY, 23.38" LOWER FRAME LINK, TITA	2.03
CW33358-212	ASSY, PRESS ARM, 500, SKY WHITE	3.01
CW32820-211	WELDMENT, FRAME, SEAT, CW500KS, SKY	5.01
CW32820-321	WELDMENT, FRAME, SEAT, CW500KS, TIT	5.03
CW33016-211	ASSY, ANGLED FRAME SUPPORT, CW500KS	6.01
CW33016-321	ASSY, ANGLED FRAME SUPPORT, CW500KS	6.03
CWCLGP127-500	ASSY, CABLE, CW500KS	20
CW30010-102	LABEL,WARNING STRENGTH	21
CW30011-102	LABEL,WARNING WEIGHT STACK	22
CW11311-102	ENDCAP, REC TUBE, 2X4, BLK PLASTIC	24
CW32091-211	ASSY, SHROUD, #5, SKY WHITE	25.01
CW32091-301	ASSY, SHROUD, #5, CUSTOM	25.02
CW32091-321	ASSY, SHROUD, #5, TITANIUM, HG	25.03
CWAC21-8901	HANDLE END CAP W/SET SCREWS, DIA 1"	27
CW11311-103	ENDCAP, REC TUBE, 2X2, BLK PLASTIC	28
CW33357-101	ASSY, PLACARD, 500KS	29
CW32212-711	ASSEMBLY, SEATPAD ADJUSTMENT, 8 HO	30
CW30014-213	CUT PIECE, CREPE, 3/8 THICK, 3.75 X	32
CW31784-731	STOP PLUG, BLK ZN	33
CWGR4621-000	GRIP, RUBBER, 1.00" OD HANDLE, 21.0	34
CWPD1102J-101	PAD,FLAT,10X36,4HOLES,W/BP,BLACK,W/	34.01
CWPD1207B-101	PAD,5X9X14.5,4HOLES,W/BP,BLACK	35.01
CW32460-221	ASSY, RATCHETING LEVER, BLACK	36
CW33286-731	WELDMENT, STABILITY FOOT,BLACK ZINC	37
CWAC1009-101	PULLEY, 4 1/2 DIA X 1/2 ID	38
CWAC1010-101	PULLEY, 6 DIA X 1/2 ID	39
CWPF1136-731	LINK ARM, 11", W/ THRD ENDS, 712, B	42
CWHCYN050-400	SCREW, HEX HEAD, BLK XYLAN, 1/2-13	43
CWPF3212-731	BAR,STEEL, RND, DIA. 0.995" X (5),	44
CWRANN038-063	BOLT, SHOULDER, 3/8-16 X 1/2 X 5/8	45
CWKDYN050-059	LOCKNUT, NYLON INSERT, FULL, UNC, 1	46
CWKAYN050-031	LOCKNUT, NYLON INSERT, HALF, UNC, 1	47
CWKBEYN050-031	NUT, HEX, THIN, LEFT HAND THREAD,	48
CWKRYN050-031	NUT, HEX THIN, UNF, 1/2-20, BLK XYL	49
CW12537-109	NUT,INSERT,THIN-NUT,LARGE FLANGE	50
CWCLFA1063-741	ROD END, FEMALE, STEEL, ZINC, CAD,	51
CWCLFA1064-741	ROD END, FEMALE, STEEL, ZINC, CAD,	52
CWTAYN031-100	SCREW, BUTTON HEAD, BLK XYLAN, 5/16	53
CW31756-101	LABEL, PRECOR USA ICARIAN LINE	54
CWTAYN031-300	SCREW, BUTTON HEAD, BLK XYLAN, 5/16	55
CWEANN038-038	SCREW,SET,SCKT,CUP POINT,3/8-16X3/8	56
CWTAYN031-100	SCREW, BUTTON HEAD, BLK XYLAN, 5/16	57
CWWBKN031-007	WASHER, FLAT, TYPE A, SAE, 5/16 ID	58
CWTAYN050-100	SCREW, BUTTON HEAD, BLK XYLAN, 1/2	59
CWWBKN050-010	WASHER, FLAT, TYPE A, SAE, 1/2 ID X	60

CWWALYN031-008	WASHER, SPLIT, 5/16 ID, BL	61
CWTAYN050-175	SCREW, BUTTON HEAD, BLK XYLAN, 1/2	62
CWTAYN050-200	SCREW, BUTTON HEAD, BLK XYLAN, 1/2	63
CWWALYN031-008	WASHER, SPLIT, 5/16 ID, BL	64
CWWALYN050-013	WASHER, SPLIT, 1/2 ID, BLK XYLAN	65
CWWBKN031-007	WASHER, FLAT, TYPE A, SAE, 5/16 ID	66
CWCAYN038-125	SCREW, SOCKET HEAD, BLK XYLAN, 3/8	67
CWWBKN050-010	WASHER, FLAT, TYPE A, SAE, 1/2 ID X	67
CWWALYN038-009	WASHER, SPLIT, 3/8 ID, BLK XYLAN	68
CWWBKN038-007	WASHER, FLAT, TYPE A, SAE, 3/8 ID	69
CWCAYN038-275	SCREW, SOCKET HEAD, BLK XYLAN, 3/8	70
CWHCYN050-500	SCREW, HEX HEAD, BLK XYLAN, 1/2-13	71
CW12634-101	SPRING, TORSION 90 DEG X 0.484 X 0.	72
CW31770-742	LATCH PIVOTING PIN, CLR ZN	73
CWAMNN028-003	RING, RETAINING, 2-TURN, SPIRAL, SS	74
CWKAYN050-031	LOCKNUT, NYLON INSERT, HALF, UNC, 1	76
CWKDYN050-059	LOCKNUT, NYLON INSERT, FULL, UNC, 1	77
CWPF3186-741	BAR,STEEL, RND, DIA. 1" X (1 1/2),	78
CWTAYN050-175	SCREW, BUTTON HEAD, BLK XYLAN, 1/2	79
CW12406-101	PILLOW BLOCK, BEARING, 2 BOLT	80
CW33626-901	GUIDE, THIN, TELESCOPING TUBE	110.01
CW33626-902	GUIDE, THCK, TELESCOPING TUBE	110.02
CWAC1133-101	BUSHING, WEIGHT PLATE, LDPE PLASTIC	203
CW10519-721	PLATE, WEIGHT, 20 LBS, WRKL BLK	279
CW10510-721	ASSY, PLATE, WEIGHT, 10 LBS, WRKL B	300
CW10520-721	ASSY, PLATE, WEIGHT, 20 LBS, WRKL B	301
CW10550-723	PLATE, WEIGHT, MED TOP (MTP-S), 10	302
CW30132-712	SELECTOR STEM, 20 PLATE,0.875 DIA,	304
CW30184-902	ASSY,BARREL,TOP PLATE,ALUMINUM,TALL	305
CW58004-101	WEIGHT STACK BUSHING KIT, KS SERIES	305
CWLDNN038-200	SLOTTED PIN SPRING, DIA 3/8 X 2	306
CW12402-101	BUMPER, ID 1.050, BLK RUBBER	307
CW12404-101	CAP, GUIDE ROD,DIA 3/4, BLK	308
CW33870-102	ASSEMBLY, 5" WEIGHT STACK PIN & LEA	309
CW32937-101	WEIGHT STACK LABELS, 10-250, STAGGE	314
CW33323-721	STACK RISER, 5 INCH, WRINKLE BLACK	315
CW32663-741	WELDMENT, BOLT ON TOP PLATE MINI ST	316
CW32938-101	WEIGHT STACK LABELS, 10-300, STAGGE	318
CWPF1016-732	BAR,,FLAT CR/HR, 3/8 X 2 X 8 1/4, 3	319
CWPF1214-711	GUIDE ROD,STEEL,OD 3/4 X 52 5/8, CH	320
CWTAYN031-150	SCREW, BUTTON HEAD, BLK XYLAN, 5/16	321
CWTAYN038-125	SCREW, BUTTON HEAD, BLK XYLAN, 3/8	322
CWWALYN031-008	WASHER, SPLIT, 5/16 ID, BL	323
CWWBKN031-007	WASHER, FLAT, TYPE A, SAE, 5/16 ID	324
CWWCKN075-015	WASHER, FLAT, TYPE A, WIDE, 3/4 ID	325
CW31772-741	ASSY, ADD-ON WEIGHT HORN, CLEAR ZIN	350
CWTAYN031-150	SCREW, BUTTON HEAD, BLK XYLAN, 5/16	351
CWWALYN031-008	WASHER, SPLIT, 5/16 ID, BL	352
CWWBKN031-007	WASHER, FLAT, TYPE A, SAE, 5/16 ID	353
CWAC1177-101	FLOOR PROTECTOR, RUBBER, 4.563 X 4.	501
CWAC1178-101	FLOOR PROTECTOR, RUBBER, 2.563 X 6.	502
CW58004-101	WEIGHT STACK BUSHING KIT, KS SERIES	600